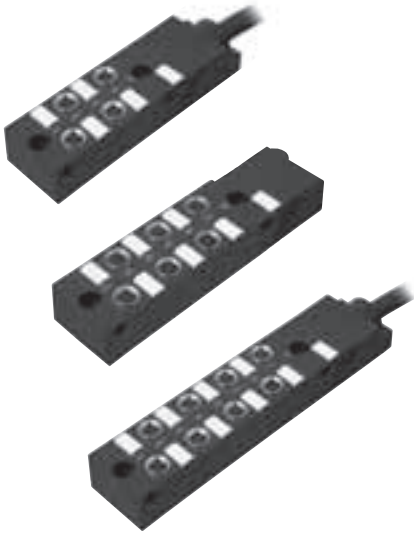


Sensor-actuator cable



Field-attachable connectors

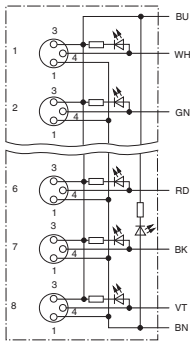
Features

- LED indication for module supply and I/O status
- High-density connections

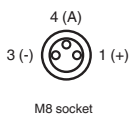
Junction blocks

Sensor-actuator splitters

Electrical connection



Core colour	M8-socket/pole
WH	1/4 (A)
GN	2/4 (A)
YE	3/4 (A)
GY	4/4 (A)
PK	5/4 (A)
RD	6/4 (A)
BK	7/4 (A)
VT	8/4 (A)
BN	1 ... 8/1 (+24 V)
BU	1 ... 8/3 (0 V)



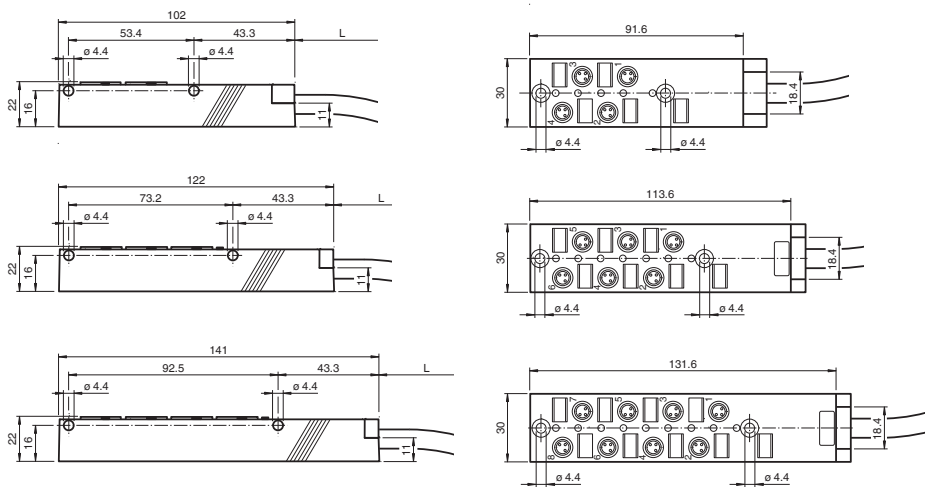
M8 socket

Data connectors

Technical data

Number of pins	3	
Display/controls		
Green LED	Supply voltage per module	
Yellow LED	I/O status indication	
Electrical data		
Operating voltage U_B	24 V DC, max. 30 V DC	
Operating current	≤ 5 mA per channel display element	
Current loading	≤ 2 A per channel, ≤ 2 A per slot, ≤ 6 A total current per block	
Ambient conditions		
Ambient temperature	-30 ... 80 °C Cable, flexible: -5 ... 80 °C Cable, fixed: -40 ... 90 °C	
Mechanical data		
Degree of protection	IP65/IP67	
Connection	Cable: stranded wire,	Sockets: M8
Materials		
Contacts	CuSn	
Contact surface	Ni/Au	
Housing	PBT	
Cables	PUR, black	
Strands	Signal line: 0.34 mm ²	Supply line: 0.75 mm ²
Bending radius	> 10 x line diameter	

Dimensions



Order codes

Cable lengths in m
5 or 10

V 3 - . A - E 2 - . . M - P U R

- Ports/signal inputs
- 4 4 ports/4 signal inputs
 - 6 6 ports/6 signal inputs
 - 8 8 ports/8 signal inputs

V3

-
-
-

- Standard, available in stock
- Available, minimum order quantity applies in some cases
- Not available



Features

- Quick, flexible mounting/isolation
- LED indication for module supply and I/O status
- High-density connections

Technical data

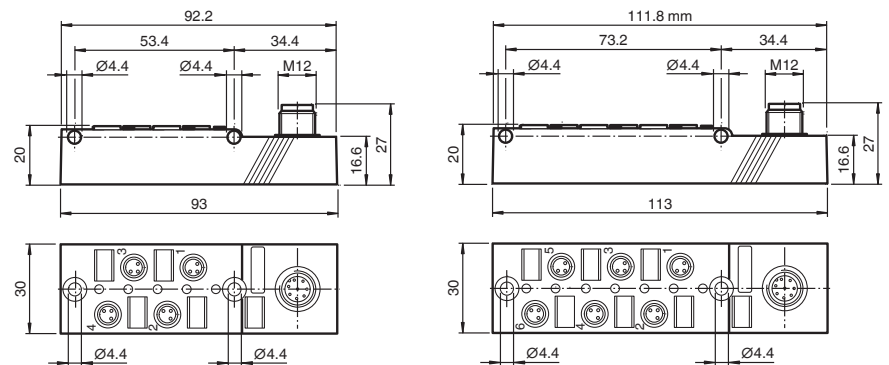
Number of pins	3
Display/controls	
Green LED	Supply voltage per module
Yellow LED	I/O status indication
Electrical data	
Operating voltage U_B	24 V DC, max. 30 V DC
Operating current	≤ 5 mA per channel display element
Current loading	≤ 2 A per channel, ≤ 2 A per slot, ≤ 4 A total current per block
Ambient conditions	
Ambient temperature	-30 ... 80 °C
Mechanical data	
Degree of protection	IP65/IP67
Connection	Cylindrical connector M12 x 1, 8-pin Sockets M 8, 3-pin
Materials	
Contacts	CuSn
Contact surface	Ni/Au
Housing	PBT

Sensor-actuator cable

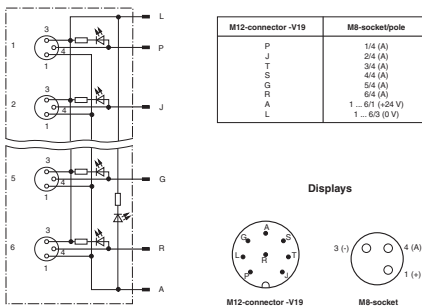
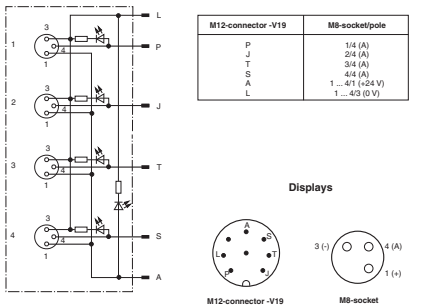
Field-attachable connectors

Junction blocks

Dimensions



Electrical connection



Order codes

V 3 - . A - E 2 - V 1 9

Ports/signal inputs
4 4 ports/4 signal inputs
6 6 ports/6 signal inputs

V3



- Standard, available in stock
- Available, minimum order quantity applies in some cases
- Not available

Sensor-actuator splitters

Sensor-actuator receptacles

Data connectors